

0,65 - 9,28 kW



SBK Angled Ceiling Type Unit Cooler





SBK Series

Угловые потолочные охладители серии SARBUZZ SBK предназначены для систем охлаждения малой мощности в зависимости от энергопотребления, уровня звукового давления, капитальных и эксплуатационных затрат.

SARBUZZ SBK Series Angled Ceiling Type unit Coolers are designed for low capacity cooling systems according to energy consumption, sound pressure level, investment and operating costs.



SBK-62-430-AD

Product Classification

Angled Ceiling Type Unit Cooler _____ **SBK-**

Fin Spacing _____ **6**

Coil Code _____ **2-**

Fans 4 pcs. x Ø 300mm. _____ **430-**

Air defrost or without heaters _____ **AD**

Hot gas defrost _____ **GD**

Electric defrost for high temperature _____ **HT**

Electric defrost for low temperature _____ **LT**

SBK Series Angled Ceiling Type Unit Cooler

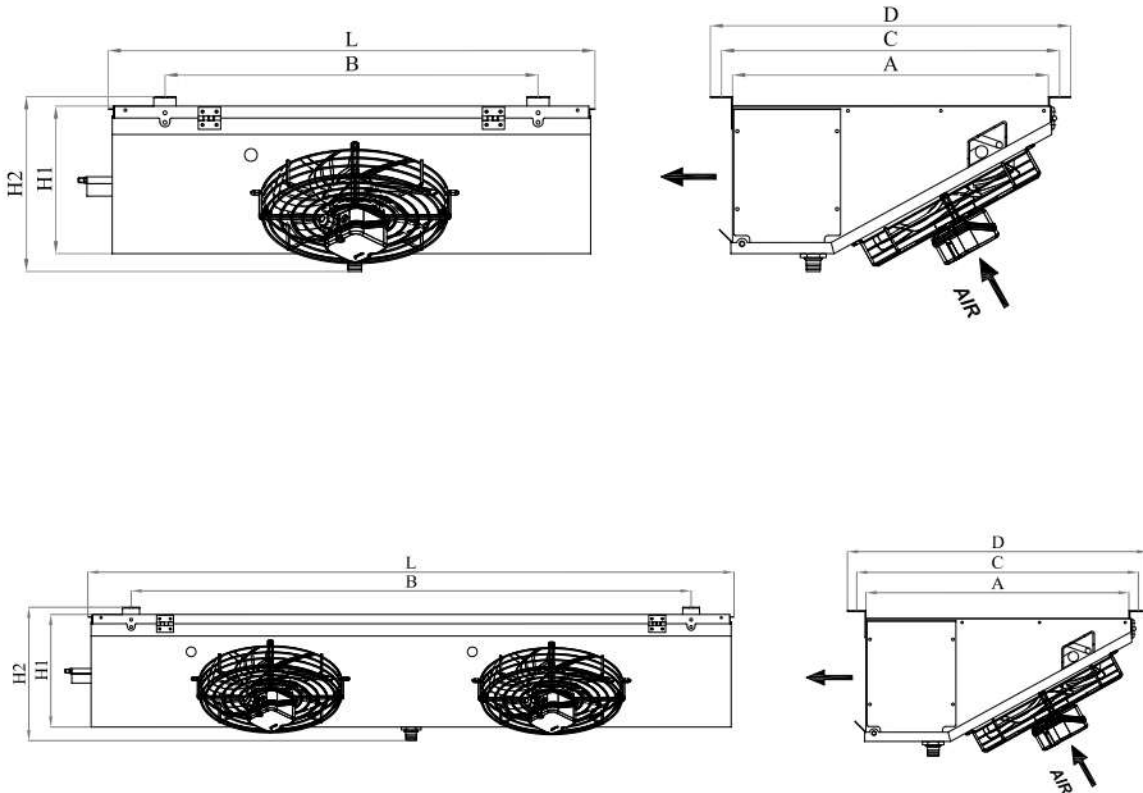
Capacity

Fin Spacing **4,0 mm**

MODEL	Capacity			Heat Transfer Surface m ²	FAN					Energy Efficiency Class	Electrical Defrost		
	SC1 To= 10°C Te= 0°C ΔT=10K	+2/-8 To= +2°C Te= -8°C ΔT=10K	SC2 To= 0°C Te= -8°C ΔT=8K		Diameter mm	Air Flow m ³ /h	Hava Atım Mesafesi Air Throw m	Power Input Watt	Sound Pressure Level 3m db(A)		HT	LT	
											Coil	Coil	Drip Tray
Watt	Watt	Watt	Watt	Watt	Watt	Watt	Watt	Watt	Watt	Watt			
1x SBK-42-125	1290	1170	880	3,9	250	560	3	65	24	E	1x400		
1x SBK-41-130	2100	1910	1430	5,2	300	1330	6	66	29	D	1x520		
1x SBK-42-130	2580	2340	1750	7,8	300	1250	5	69	29	D	1x520		
1x SBK-42-135	4320	3900	2920	6,3	350	2320	8	155	34	D	1x650		
2x SBK-42-225	2600	2370	1770	8,4	250	1120	4	130	27	E	1x800		
2x SBK-41-230	4340	3930	2940	10,5	300	2660	6	132	32	D	1x1040		
2x SBK-42-230	5180	4670	3490	12,5	300	2500	6	138	32	D	1x1040		
2x SBK-42-235	9030	8130	6080	10,2	350	4630	8	310	37	D	1x1300		
3x SBK-42-325	3920	3570	2670	13,6	250	1680	4	195	29	E	1x1200		
3x SBK-41-330	6590	5940	4440	16,9	300	3990	7	198	34	D	1x1600		
3x SBK-42-330	7870	7060	5280	20,4	300	3740	6	207	34	D	1x1600		
3x SBK-42-335	13250	11820	8840	7,8	350	6950	9	465	39	D	1x1950		
4x SBK-42-425	5240	4730	3540	10,5	250	2240	4	260	30	E	1x1600		
4x SBK-41-430	8780	7820	5850	15,7	300	5330	7	264	35	D	1x2090		
4x SBK-42-430	10370	9280	6940	12,5	300	4990	7	276	35	D	1x2090		

Not: The given capacities are mentioned above, according to 50 Hz power supply. In case of 60 Hz, please contact with our sales team for capacities.

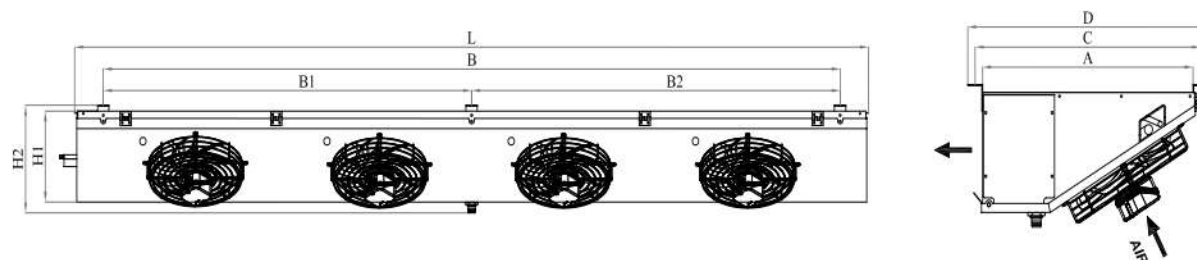
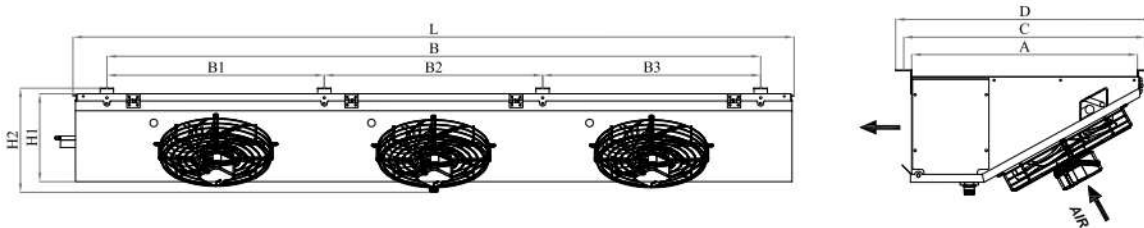
Technical Drawing



Measures

MODEL	Dimensions											Connections		
	Tube Volume	Weight	L	H1	H2	D	A	B	B1	B2	C	Refrigerant		Drain
												Giriş Inlet	Çıkış Outlet	Çıkış Out
	l	kg	mm	mm	mm	mm	mm	mm	mm	mm	mm	mm Ø	mm Ø	Inch
SBK-42-125	0,7	8	664	224	284	552	472	420	---	---	504	9,5	9,5	3/4"
SBK-41-130	0,9	10	784	288	348	645	565	540	---	---	597	12,7	15,9	3/4"
SBK-42-130	1,2	12	784	288	348	645	565	540	---	---	597	12,7	15,9	3/4"
SBK-42-135	1,6	15	914	352	412	745	665	670	---	---	697	12,7	19	3/4"
SBK-42-225	1,3	14	1064	224	284	552	472	820	---	---	504	12,7	15,9	3/4"
SBK-41-230	1,7	18	1304	288	348	645	565	1060	---	---	597	12,7	19	3/4"
SBK-42-230	2,2	20	1304	288	348	645	565	1060	---	---	597	12,7	22	3/4"
SBK-42-235	3,6	27	1564	352	412	745	665	1320	---	---	697	12,7	28	3/4"
SBK-42-325	2,0	20	1464	224	284	552	472	1220	---	---	504	12,7	19	3/4"
SBK-41-330	2,6	25	1824	288	348	645	565	1580	527	526	597	12,7	22	3/4"
SBK-42-330	3,5	29	1824	288	348	645	565	1580	527	526	597	12,7	22	3/4"
SBK-42-335	4,9	38	2214	352	412	745	665	1970	657	656	697	15,9	28	1"
SBK-42-425	2,7	26	1864	224	284	552	472	1620	813	807	504	12,7	19	3/4"
SBK-41-430	3,5	33	2344	288	348	645	565	2100	1050	1050	597	15,9	22	1"
SBK-42-430	4,3	37	2344	288	348	645	565	2100	1050	1050	597	12,7	28	1"

Technical Drawing



SBK Series Angled Ceiling Type Unit Cooler

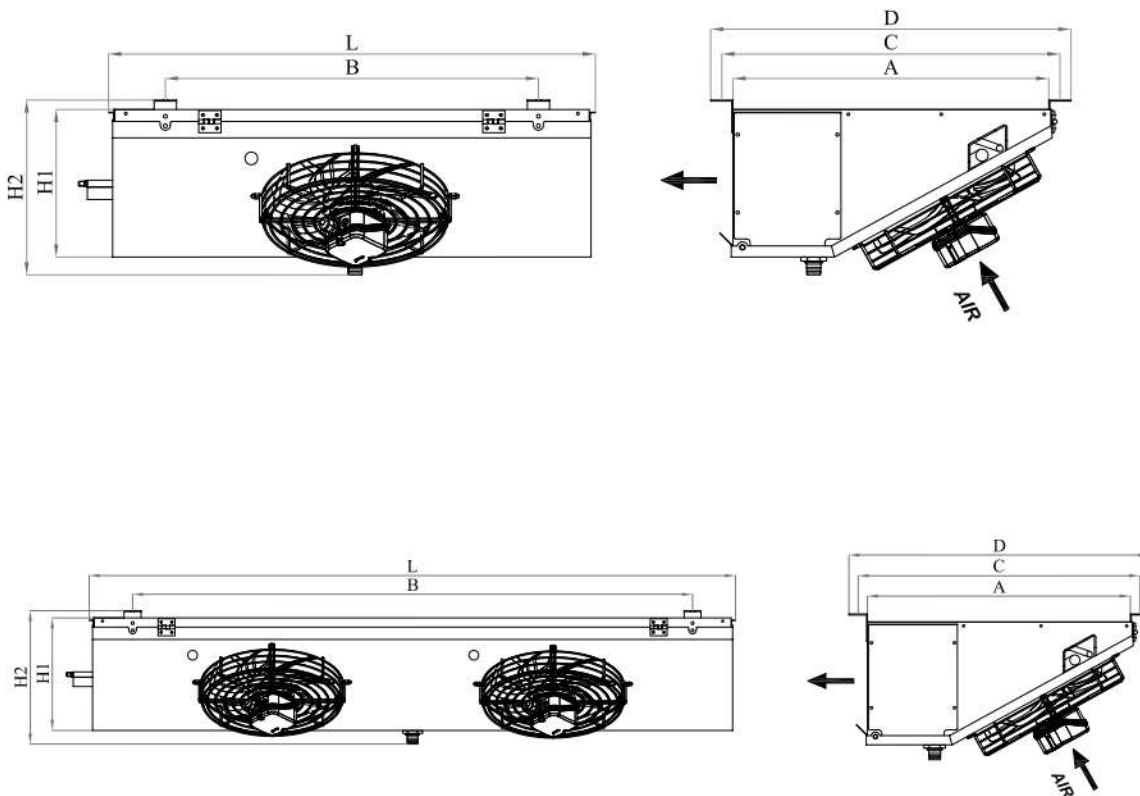
Capacity

Fin Spacing **6,0 mm**

MODEL	Capacity				Heat Transfer Surface m ²	FAN					Energy Efficiency Class	Electrical Defrost			
	SC1	+2/-8	SC2	SC3		Diameter mm	Air Flow m ³ /h	Air Throw m	Power Input Watt	Sound Pressure Level db(A) 3m		HT	LT		
	Watt	Watt	Watt	Watt								Coil	Coil	Drip Tray	
	To= 10°C Te= 0°C ΔT=10K	To= +2°C Te= -8°C ΔT=10K	To= 0°C Te= -8°C ΔT=8K	To= -18°C Te= -25°C ΔT=7K											
1x	SBK-62-125	1080	980	730	530	2,9	250	610	4	65	24	E	1x400	1x400	1x400
	SBK-61-130	1730	1540	1150	920	3,8	300	1390	6	66	29	D	1x520	1x520	1x520
	SBK-62-130	2090	1900	1420	1140	5,0	300	1310	6	69	29	D	1x520	1x520	1x520
	SBK-62-135	3630	3150	2350	1940	7,6	350	2450	8	155	34	D	1x650	1x650	1x650
2x	SBK-62-225	2170	1970	1480	1180	5,8	250	1220	4	130	27	E	1x800	1x800	1x800
	SBK-61-230	3500	3130	2340	1870	7,5	300	2780	6	132	32	D	1x1040	1x1040	1x1040
	SBK-62-230	4220	3810	2850	2310	10,0	300	2630	6	138	32	D	1x1040	1x1040	1x1040
	SBK-62-235	7380	6600	4940	3860	15,6	350	4920	9	310	37	D	1x1300	1x1300	1x1300
3x	SBK-62-325	3300	2960	2210	1780	8,7	250	1830	4	195	29	E	1x1200	1x1200	1x1200
	SBK-61-330	5270	4720	3530	2800	11,3	300	4170	7	198	34	D	1x1600	1x1600	1x1600
	SBK-62-330	6460	5810	4350	3410	15,0	300	3940	7	207	34	D	1x1600	1x1600	1x1600
	SBK-62-335	10870	9740	7290	5950	23,2	350	7380	10	465	39	D	1x1950	1x1950	1x1950
4x	SBK-62-425	4420	3990	2980	2380	11,6	250	2440	4	260	30	E	1x1600	1x1600	1x1600
	SBK-61-430	7050	6310	4720	3760	15,0	300	5560	8	264	35	D	1x2090	1x2090	1x2090
	SBK-62-430	8520	7660	5730	4640	19,9	300	5250	7	276	35	D	1x2090	1x2090	1x2090

Not: The given capacities are mentioned above, according to 50 Hz power supply. In case of 60 Hz, please contact with our sales team for capacities.

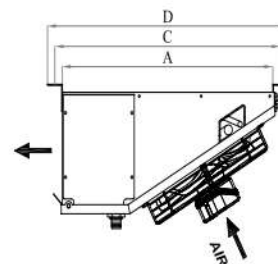
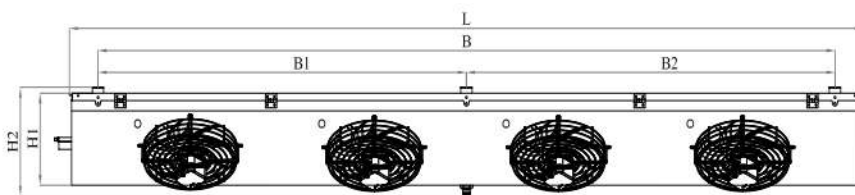
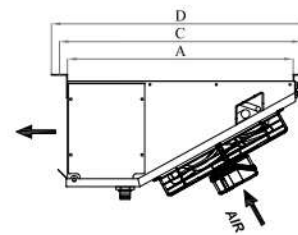
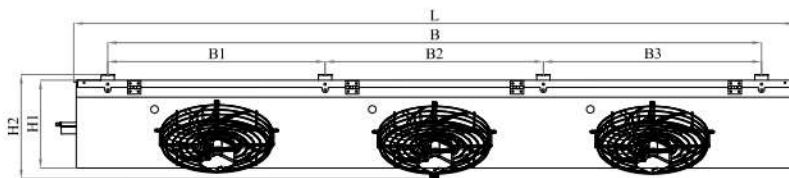
Technical Drawing



Measures

MODEL	Dimensions											Connections		
	Tube Volume	Weight	L	H1	H2	D	A	B	B1	B2	C	Refrigerant		Drain
												Inlet	Outlet	Out
	l	kg	mm	mm	mm	mm	mm	mm	mm	mm	mm	mm Ø	mm Ø	Inch
SBK-62-125	0,7	8	664	224	284	552	472	420	---	---	504	9,5	9,5	3/4"
SBK-61-130	0,9	10	784	288	348	645	565	540	---	---	597	9,5	9,5	3/4"
SBK-62-130	1,2	11	784	288	348	645	565	540	---	---	597	12,7	15,9	3/4"
SBK-62-135	1,6	14	914	352	412	745	665	670	---	---	697	12,7	19	3/4"
SBK-62-225	1,3	14	1064	224	284	552	472	820	---	---	504	12,7	15,9	3/4"
SBK-61-230	1,7	17	1304	288	348	645	565	1060	---	---	597	12,7	19	3/4"
SBK-62-230	2,2	19	1304	288	348	645	565	1060	---	---	597	12,7	22	3/4"
SBK-62-235	3,6	26	1564	352	412	745	665	1320	---	---	697	12,7	28	3/4"
SBK-62-325	2,0	20	1464	224	284	552	472	1220	---	---	504	12,7	19	3/4"
SBK-61-330	2,6	25	1824	288	348	645	565	1580	527	526	597	12,7	22	3/4"
SBK-62-330	3,5	28	1824	288	348	645	565	1580	527	526	597	12,7	22	3/4"
SBK-62-335	4,9	36	2214	352	412	745	665	1970	657	656	697	15,9	28	1"
SBK-62-425	2,7	25	1864	224	284	552	472	1620	813	807	504	12,7	19	3/4"
SBK-61-430	3,5	32	2344	288	348	645	565	2100	1050	1050	597	12,7	22	1"
SBK-62-430	4,3	36	2344	288	348	645	565	2100	1050	1050	597	12,7	28	1"

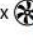


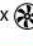
Technical Drawing



SBK Series Angled Ceiling Type Unit Cooler

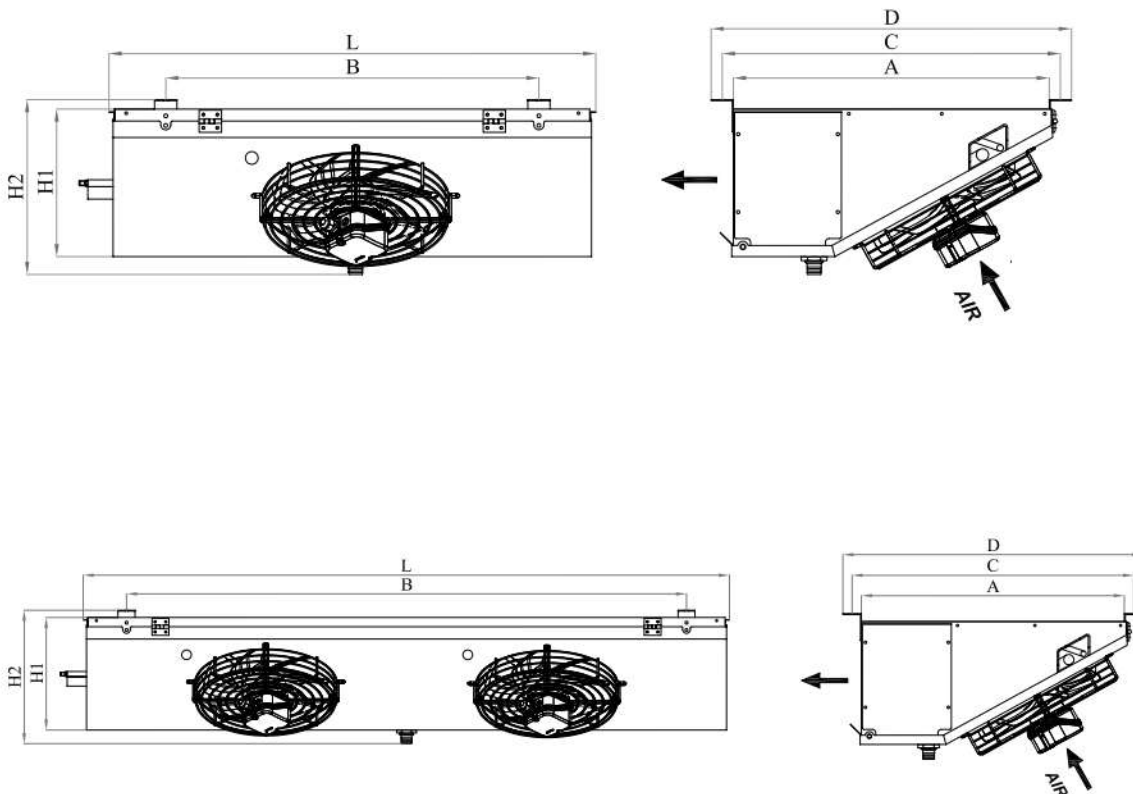
Capacity

Fin Spacing **8,0 mm**

MODEL	Capacity				Heat Transfer Surface m ²	FAN					Energy Efficiency Class	Electrical Defrost		
	SC1 To= 10°C Te= 0°C ΔT=10K	+2/-8 To= +2°C Te= -8°C ΔT=10K	SC2 To= 0°C Te= -8°C ΔT=8K	SC3 To= -18°C Te= -25°C ΔT=7K		Diameter mm	Air Flow m ³ /h	Air Throw m	Power Input Watt	Sound Pressure Level db(A) 3m		HT	LT	
												Coil	Coil	Drip Tray
	Watt	Watt	Watt	Watt		Watt	Watt	Watt	Watt	Watt		Watt	Watt	
1x  SBK-82-125	960	870	650	520	2,2	250	650	4	65	24	E	1x400	1x400	1x400
SBK-81-130	1510	1350	1010	770	2,9	300	1430	6	66	29	D	1x520	1x520	1x520
SBK-82-130	1820	1650	1230	1000	3,9	300	1350	6	69	29	D	1x520	1x520	1x520
SBK-82-135	3220	2880	2160	1660	6,0	350	2550	9	155	34	D	1x650	1x650	1x650
2x  SBK-82-225	1920	1740	1300	1050	4,5	250	1290	4	130	27	E	1x800	1x800	1x800
SBK-81-230	3040	2730	2040	1610	5,8	300	2850	7	132	32	D	1x1040	1x1040	1x1040
SBK-82-230	3680	3320	2490	2010	7,8	300	2710	6	138	32	D	1x1040	1x1040	1x1040
SBK-82-235	6500	5830	4360	3360	12,0	350	5100	9	310	37	D	1x1300	1x1300	1x1300
3x  SBK-82-325	2940	2650	1980	1580	6,7	250	1940	4	195	29	E	1x1200	1x1200	1x1200
SBK-81-330	4570	4110	3070	2430	8,7	300	4280	7	198	34	D	1x1600	1x1600	1x1600
SBK-82-330	5660	5100	3820	2980	11,6	300	4060	7	207	34	D	1x1600	1x1600	1x1600
SBK-82-335	9710	8560	6400	5200	18,2	350	7640	10	465	39	D	1x1950	1x1950	1x1950
4x  SBK-82-425	3930	3550	2660	2110	9,0	250	2580	5	260	30	E	1x1600	1x1600	1x1600
SBK-81-430	6110	5480	4100	3250	11,7	300	5710	8	264	35	D	1x2090	1x2090	1x2090
SBK-82-430	7500	6720	5020	4050	15,5	300	5410	7	276	35	D	1x2090	1x2090	1x2090

Not: The given capacities are mentioned above, according to 50 Hz power supply. In case of 60 Hz, please contact with our sales team for capacities.

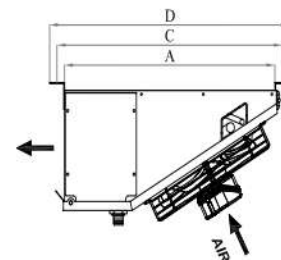
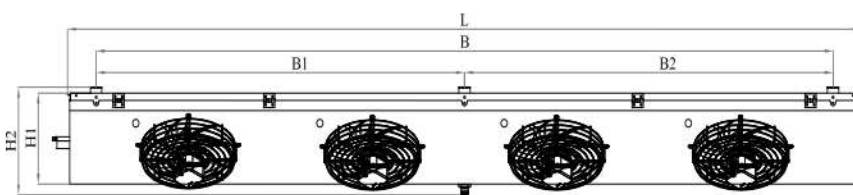
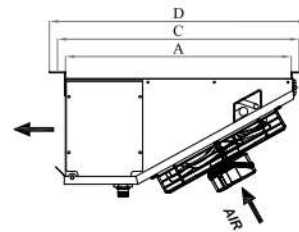
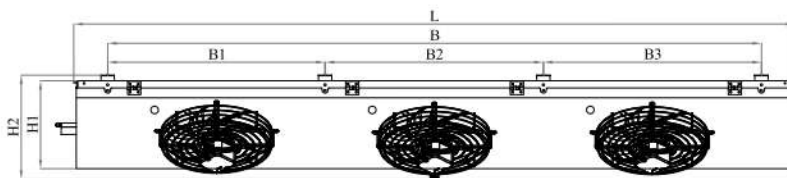
Technical Drawing



Measures

MODEL	Dimensions											Connections		
	Tube Volume	Weight	L	H1	H2	D	A	B	B1	B2	C	Refrigerant		Drain
												Inlet	Outlet	Out
	l	kg	mm	mm	mm	mm	mm	mm	mm	mm	mm	mm Ø	mm Ø	Inch
SBK-82-125	0,7	8	664	224	284	552	472	420	---	---	504	9,5	9,5	3/4"
SBK-81-130	0,9	10	784	288	348	645	565	540	---	---	597	12,7	15,9	3/4"
SBK-82-130	1,2	11	784	288	348	645	565	540	---	---	597	12,7	15,9	3/4"
SBK-82-135	1,6	14	914	352	412	745	665	670	---	---	697	12,7	19	3/4"
SBK-82-225	1,3	14	1064	224	284	552	472	820	---	---	504	12,7	15,9	3/4"
SBK-81-230	1,7	17	1304	288	348	645	565	1060	---	---	597	12,7	19	3/4"
SBK-82-230	2,3	19	1304	288	348	645	565	1060	---	---	597	12,7	22	3/4"
SBK-82-235	3,2	25	1564	352	412	745	665	1320	---	---	697	15,9	28	3/4"
SBK-82-325	2,0	19	1464	224	284	552	472	1220	---	---	504	12,7	19	3/4"
SBK-81-330	2,6	24	1824	288	348	645	565	1580	527	526	597	12,7	22	3/4"
SBK-82-330	3,2	27	1824	288	348	645	565	1580	527	526	597	12,7	22	3/4"
SBK-82-335	5,4	35	2214	352	412	745	665	1970	657	656	697	15,9	28	1"
SBK-82-425	2,7	25	1864	224	284	552	472	1620	813	807	504	12,7	19	3/4"
SBK-81-430	3,5	31	2344	288	348	645	565	2100	1050	1050	597	15,9	22	1"
SBK-82-430	4,6	35	2344	288	348	645	565	2100	1050	1050	597	15,9	28	1"

Technical Drawing



Specifications

Evaporator Coil

- Copper tubes Ø3/8",
- Fins made of aluminium,
- Fin spacing is 4 - 6 - 8 mm,
- Header inlet and outlet tube connections made of copper,
- Highest permissible working pressure $P_s=24$ Bar.

Casing

- Galvanized steel sheet painted to RAL-7035 (light grey)

Fans

- Low-noise axial fans with maintenance free motors,
- Protection class IP44/54, Single phase 230V 1~ 50Hz,
- Construction insulation material class F/B, admissible temperature -30°C up to +40/+55°C,
 - In case of long periods of non operation the motors must be operated every month for 2 hours,
- The integral thermo contacts (thermistors) must be used as motor protection,
- At low ambient temperatures and different air resistance the power consumption will increase.

Sound Specifications

- The sound pressure levels are calculated according to EN 13487.

Defrosting

- Electrical defrost as HT for (+2°C/-5°C) or LT for (-2°C/-25°C) as optional,
- Hot gas defrost without tubing inside of coil and drip tray, without non-return valve,

Capacity

- The nominal capacities calculated according to Eurovent (EN 328) standards that refer to (+2°C/-8°C) - SC1 - SC2 - SC3 conditions and are valid for R404A,
- The refrigerating capacities refer to an air inlet temperature difference which results from the difference between cooler air inlet temperature T_r , evaporating temperature T_e and ($\Delta T = T_r - T_e$).

Options

- Different casing color,
- Other tube wall thicknesses and fin spacing on request,
- Three phase 400V 3~ 50Hz fan
- Please keep in touch with our sales department about your special needs that are not mentioned in the catalogue.

Notes

- Please check our user manual for installation, maintenance, carrying and lifting details.

Accessories

- Hot gas defrost in coil and drip tray,
- Insulated drip tray,
- Casing made of stainless steel,
- Epoxy resin coated aluminium fins,
- Fan cable heaters,
- Drain line cable heater